

# FlatMagic

## 1900 Series Cart

5 Accent Panel Choices

Single and Dual Display Options

Suits any Presentation Environment

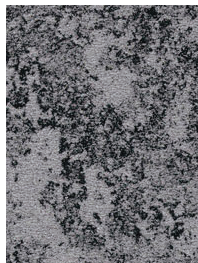


Expanding on the original FlatMagic wall systems and cart, PicturePhone is proud to introduce the next generation 1900 Series Flat Magic roll-about cart.

The 1900 Series has a solid base foundation, ample cabinet space, three camera mounting options, plus single and dual display options. It has 4 heavy-duty castors, allowing for easy transportation. The unit comes with a veneer accent panel kit, with 5 finishes to choose from to match nearly any conference or presentation environment.

### Choose Accent Panels That Suit Your Conference Environment Best

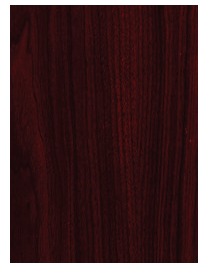
Silver



Black



Mahogany



Cherry



Maple



Side panel view of FlatMagic 1900

### FlatMagic 1900 includes a complementary accent panel kit

The easily interchangeable veneer panel kits come in 5 finishes. Custom laminates and accent kits are also available. For more information contact your PicturePhone account representative.

# FlatMagic

## 1900 Series Cart

## Overview

### Strength & Stability

- 1" thick base foundation is reinforced with inlaid steel cross bracing to ensure maximum rigidity.
- Solid extruded aluminum monitor support structure transfers all the monitor weight directly to the base foundation.
- Solid extruded aluminum cabinet corner members insure long-lasting durability.
- 4 heavy-duty 4" casters balance up to a 575lb payload evenly
- Carpet and floor friendly casters allow easy unrestricted movement of the unit as required.

### Functional & Versatile

- 3 camera mounting options (3 locations, upper center & lower, with both large and small platform sizes). Interior fascia trim panel masks internal structure.
- Interchangeable Accent Panel Kits - Easily interchangeable veneer panel kits available in Maple, Cherry, Mahogany, Hi-Tech Silver and Black (custom laminates also available).
- Auxiliary compartment accommodates optional speaker packages or drawer module.
- Integrated cable management (internal and external).
- Single & dual display options (mount 2 flat panel plasma or LCD displays up to 50" each or mount a single flat panel display up to 70").
- Generous 5.6 cubic foot cabinet space allows multiple component storage options.
- Optional rack mounting rail with up to 12 RU (rack units) available for device mounting.
- Symmetric front and rear smoked acrylic doors for easy equipment access.

### Aesthetics

- Accent panel options allow color matching to nearly any conference or presentation environment.
- Durable tee-molded edging.
- Matching aluminum vertical flat screen support uprights and corner members.

### Key Specifications & Dimensions

#### Cabinet Space:

5.6 cubic feet

#### LCD & Plasma Sizes:

Fits up to 70" single display

Fits up to 50" dual displays

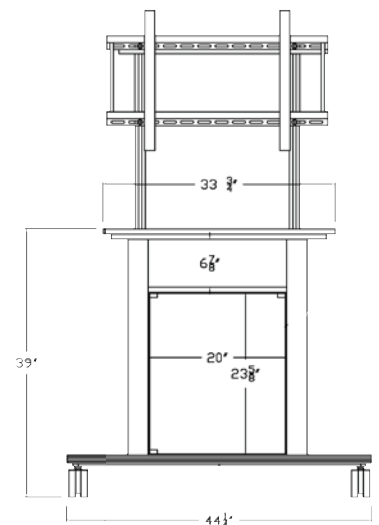
#### Casters:

4 Heavy-duty 4" casters

Supports up to 575lb payload

#### Base Dimensions:

44 1/4" wide x 24 7/8" deep



(FlatMagic 1900 single display line drawing with dimensions)

### Camera Mount System

Adjustable upper and lower camera posts with both large and small camera platforms are offered to accommodate PTZ cameras & codecs alike. The camera mount system will place the camera just below or just above the flat screen viewing area. The FlatMagic 4-axis adjustable center camera mount is used between dual displays. These mounting systems create an ideal viewing angle, which provide proper eye contact while removing unwanted light sources from items such as ceiling lights, wall sconces or table glare from the field of view.

### Speaker Module

The optional speaker module takes speaker level output from your flat screen. This module will produce a richer sound quality than standard flat screen speakers and fits into the auxilliary compartment just below the top surface of the 1900 cart. The optional speaker module features:

- 100 watt peak power
- Stereo 3-way design
- 40 mm mid-range drivers (2)
- 4" woofers (2)
- 25 mm piezo tweeters (2)

### Universal Codec/Appliance Stand

The FlatMagic 1900 system base offers ample room for a codec and PC tower, or digital signage player to be mounted in a vertical position using our adjustable codec stand. This device has been stylishly designed to accommodate a wide range of devices and can also be used as a stand-alone mount.

### Display Adapter Kits

The mobile dual display kit will accommodate dual displays up to 50". The FlatMagic oversize display adapter kit is available for screens without standard bolt patterns. The Flat Magic 66" uprights can be used when adding a touch panel to a large display (if necessary).

### Rack Accessory

An optional standard 19" 12U rack is available for the FlatMagic 1900 unit. The rack is heavily constructed of 3/4" black edge-banded melamine board with fully drilled and tapped front rack rail chassis (black powder coated) for quick & convenient component installation.

### Shelf Accessory

Add up to three shelves to the FlatMagic 1900 for additional storage space in the base unit.

### Drawer Accessory

The optional 1200 cubic inch storage drawer is perfect for storing cables, remotes, DVDs & more. Installation of the drawer accessory to the 1900 cart is quick & easy.